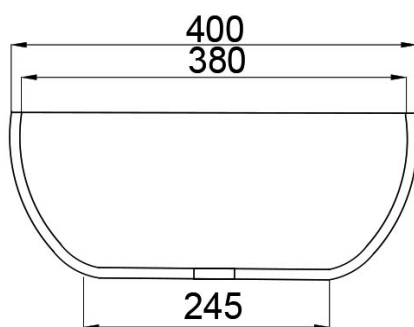
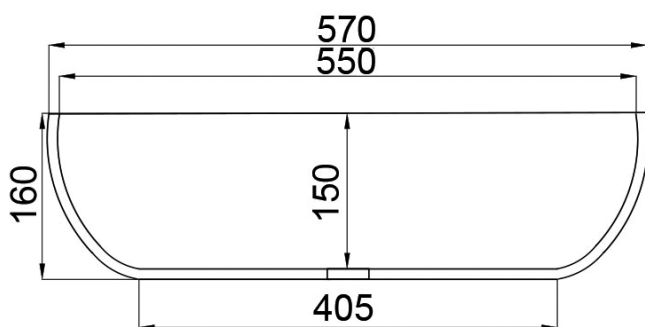
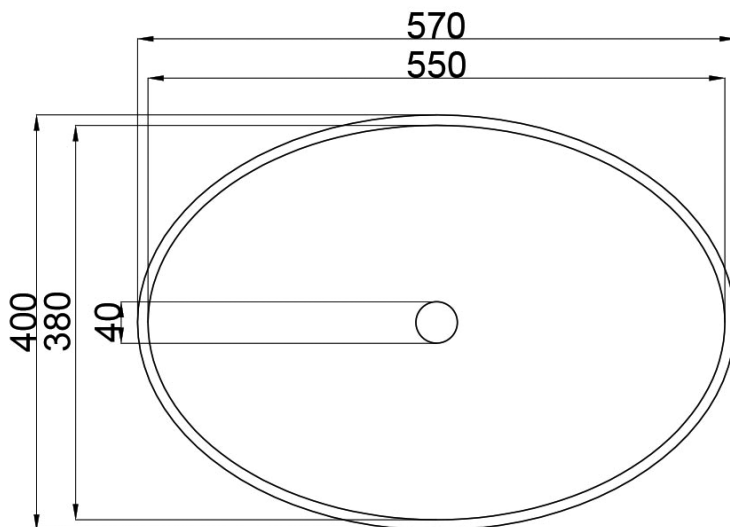




JEE-O by DADO moloko basin specifications



Article code: **SWMBAS20**
 Topmounted or underslung

Material: DADOquartz - Scratch & abrasion resistant

Color: Pearl white matt finish

Waste diameter: 40mm

Dimensions: L 570 x W 400 x H 160 mm
 L 22.4 x W 15.7 x H 6.3"

Basin rim: 21-23mm / 0.8-0.9"

Net weight: 15kg / 33.0lb

Dimension package: L 600 x W 455 x H 190 mm
 L 23.6 x W 17.9 x H 7.5"

Package weight: 5kg / 11.0lb

UV stability: 6 / BSEN438

25 year warranty

HS code: 69109000

Note: cast products are subject to size variation of +/- 5 %

